

RW Series

Wheel Weighing Scale

- Designed for mobile weight inspection
- Heavy duty cast aluminum construction
- 1 inch LCD illuminated backlight display
- Used for cars, trucks, and custom applications
- Battery operated with AC adapter/charger
- Single and double width available
- Scale are linkable for multi-axle weighing (up to 6 scales)



ISO 9001 certified

CAS
S · C · A · L · E

RW-L

RW Series Wheel Weighing Scale

FEATURES

- 1 inch LCD display with automatic backlight
- Advanced digital filtering to compensate for vibration
- Multi-axle weighing (up to 6 scales)
- kg/lb switchable
- Displays individual or total weight

SPECIFICATIONS

Model	RW-05S	RW-10S	RW-05L	RW-10L
Capacity	5,000kg/ 10,000lb	10,000kg/ 20,000lb	5,000kg/ 10,000lb	10,000kg/ 20,000lb
Min. Division	2kg/5lb	5kg/10lb	2kg/5lb	5kg/10lb
Display	5 Digit LCD Display (Height 1 inch/25mm)			
Accuracy	1%			
Safe Overload	150%			
Operating Time	20hours (charging time 16 hours)			
Operating Temperature	-10°C ~ +40°C			
Power Source	1.5V AA Size 12EA DC7.2V 2.6Ah Battery (AC 110V/220V Charger)			
Weigh Pad Dimensions	12.2(W) × 13.4(D) inch		24.6(W) × 13.4(D) inch	
Overall Size(W×D×H)	18.0 × 21.1 × 2.4 inch		28.3 × 22.3 × 2.4 inch	
Product Weight	22kg/48.5lb		36kg/79.4lb	

APPLICATIONS

- Monitoring over loaded vehicle

OPTIONS

- Totalizer Cable
- Printer

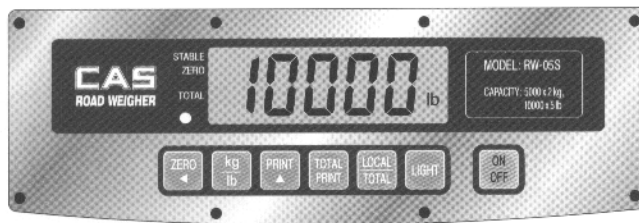


CAS USA Corporation

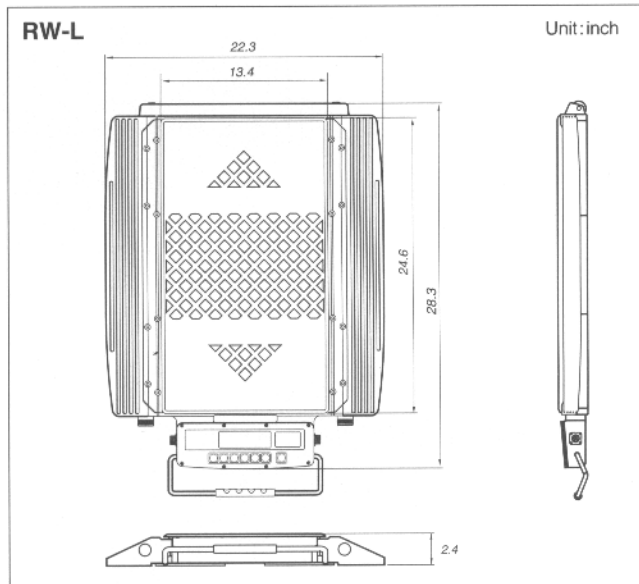
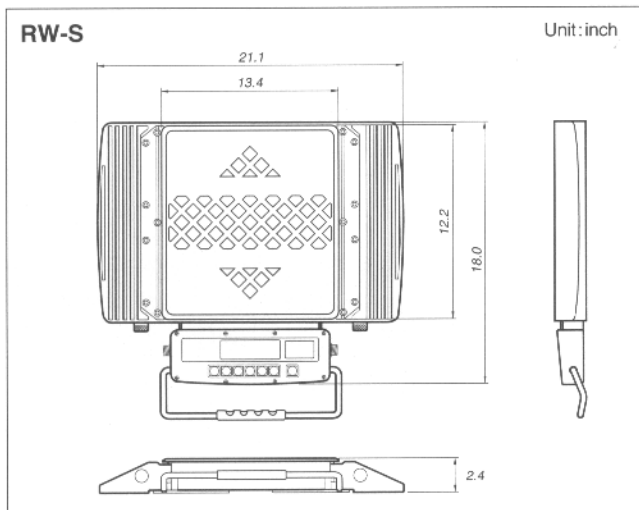
NJ OFFICE
99 Murray Hill Parkway
East Rutherford, NJ 07073
Tel: (201) 933-9002
Fax: (201) 933-9025
<http://www.cas-usa.com>

CA OFFICE
733 S. State College Blvd #98
Fullerton, CA 92831
Tel: (714) 870-1286
Fax: (714) 870-1167

DISPLAY & KEY BOARDS



DIMENSIONS



Scalemasters, Inc.
3673 San Gabriel River Pkwy
Pico Rivera, Ca 90660 USA
(562) 699-0341 phone
(562) 908-0090 fax